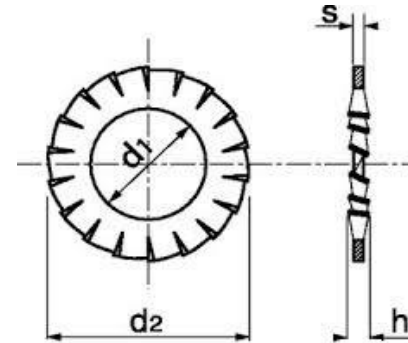


**DIN 6798 External Serrated Tooth Lock Washers**  
 (Also Called An Overlapping Tooth Type)



DIN 6798 External Serrated Tooth Lock Washers																			
Diameter	M2	M2.5	M3	M3.5	M4	M5	M6	M7	M8	M10	M12	M14	M16	M18	M20	M22	M24	M27	M30
d1	2.2	2.7	3.2	3.7	4.3	5.3	6.4	7.4	8.4	10.5	13	15	17	19	21	23	25	28	31
d2	4.5	5.5	6	7	8	10	11	12.5	15	18	20.5	24	26	30	33	36	38	44	48
S	0.3	0.4	0.4	0.5	0.5	0.6	0.7	0.8	0.8	0.9	1	1	1.2	1.4	1.4	1.5	1.5	1.6	1.6
h	3 x S	3 x S	3 x S	3 x S	3 x S	3 x S	3 x S	3 x S	3 x S	3 x S	3 x S	3 x S	3 x S	3 x S	3 x S	3 x S	3 x S	3 x S	3 x S

Material	Finish	Diameters
<i>Spring Steel</i>	<i>Zinc (CR3)</i>	<i>M3 - M24 (Minus M7, M22 &amp; M27)</i>
<i>Stainless Steel</i>	<i>A2 &amp; A4</i>	<i>M2 - M30</i>

INFORMATION AND DRAWINGS PROVIDED ARE FOR REFERENCE ONLY